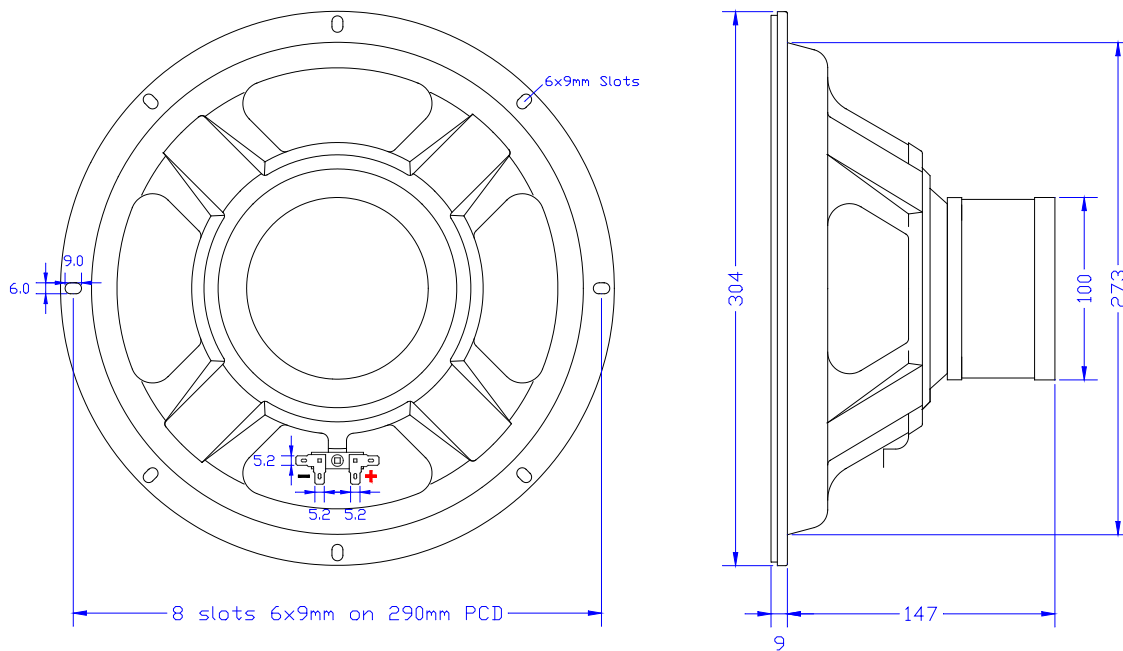




MODEL: AA304U

12" Steel-Frame

CAD outline drawing (Nominal dimensions)



Mounting information

- Baffle opening diameter
 - Front mounting 273 mm
 - Rear mounting 273 mm
- Mounting pattern:
 - eight 6 x 9 mm slots equi-spaced on 290 mm PCD.
- Flange thickness 9 mm

Specifications are subject to change without further notice