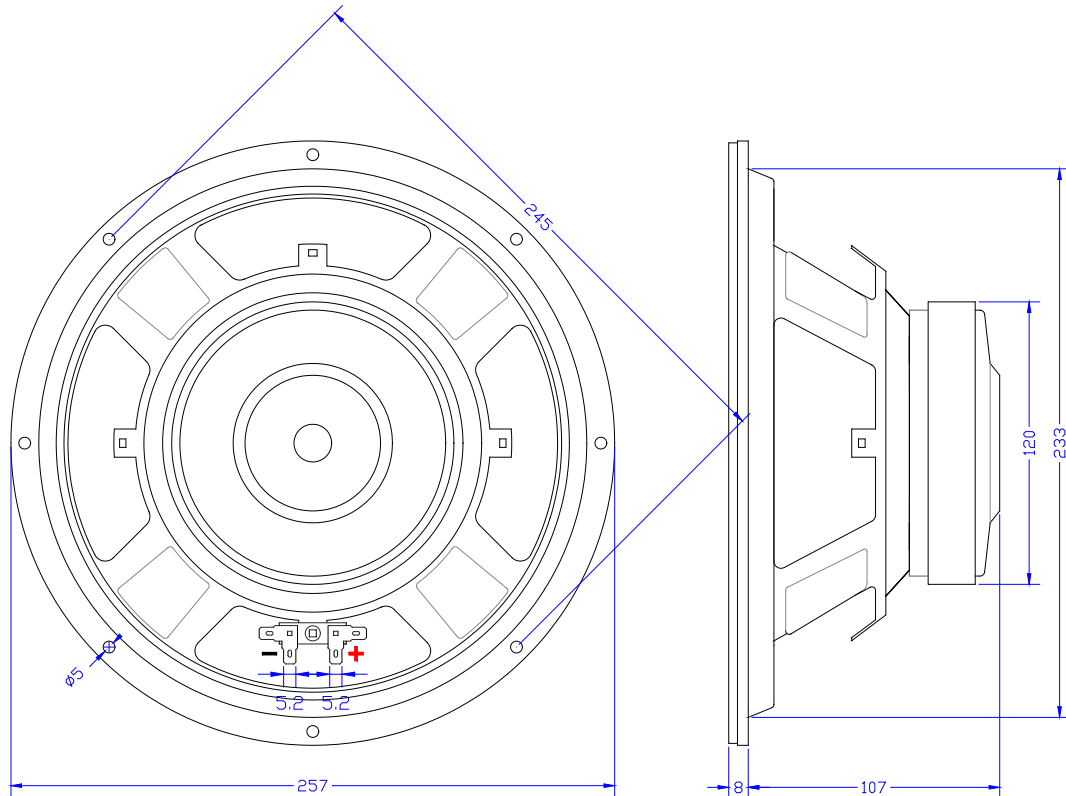




**MODEL: AC257P**

**10" Steel-Frame**

## CAD outline drawing (Nominal dimensions)



## Mounting information

Baffle opening diameter:

Front mounting 233 mm

Mounting screw hole pattern:

Eight 5.0 mm holes eqi-spaced on a 245mm P.C.D.

Flange thickness 8.3mm

Specifications are subject to change without further notice