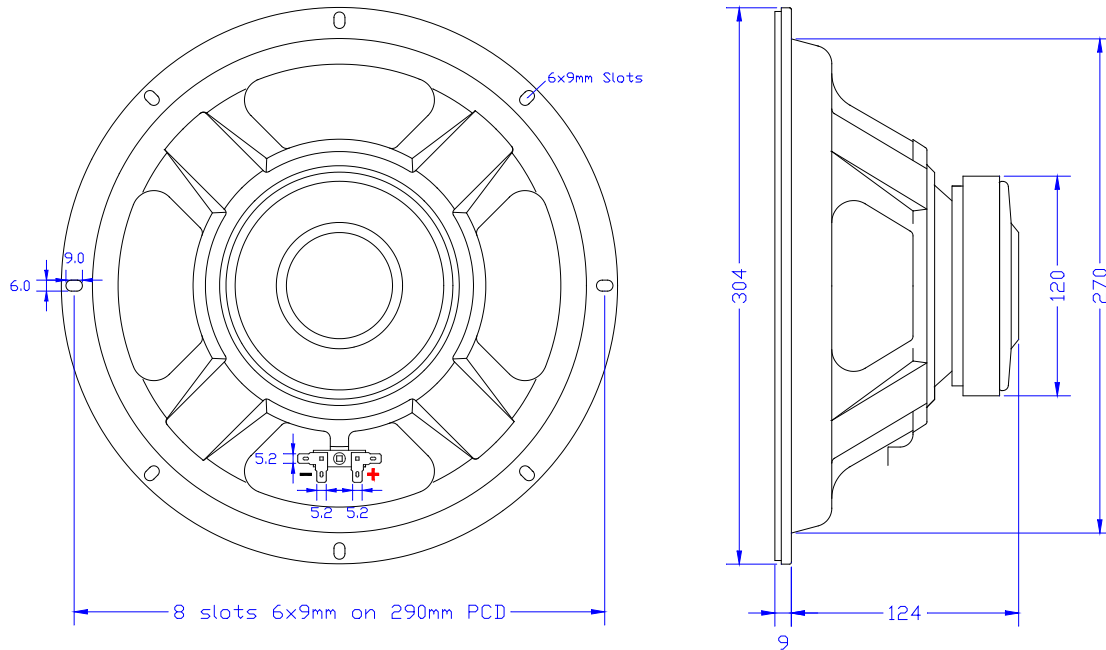




MODEL: AC304P

12" Steel-Frame

CAD outline drawing (Nominal dimensions)



Mounting information

- Baffle opening diameter
- | | |
|----------------|--------|
| Front mounting | 273 mm |
| Rear mounting | 273 mm |
- Mounting pattern:
- eight 6 x 9 mm slots equi-spaced on 290 mm PCD.
- Flange thickness 9 mm

Packing information

- One loudspeaker per carton.
- Carton external dimensions 305x305x133mm.
- Total weight including packing 3.2 kgm.

Specifications are subject to change without further notice