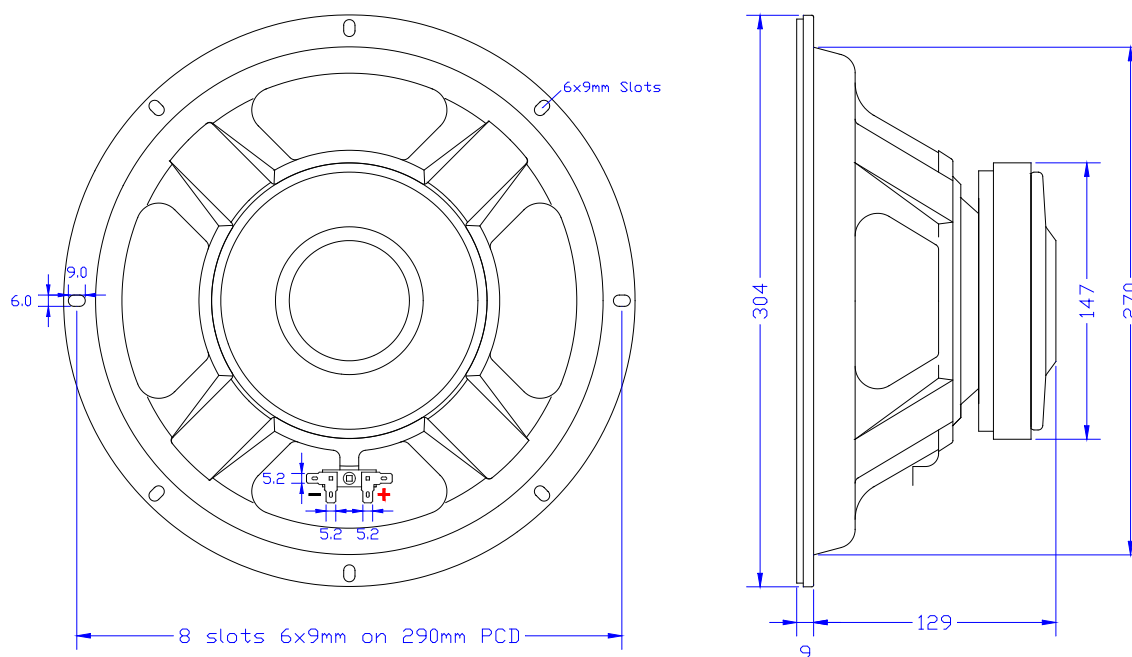


MODEL: AC304U**12" Steel-Frame****CAD outline drawing (Nominal dimensions)****Mounting information**

Baffle opening diameter

Front mounting 273 mm

Rear mounting 273 mm

Mounting pattern:

eight 6 x 9 mm slots equi-spaced on 290 mm PCD.

Flange thickness 9 mm

Specifications are subject to change without further notice