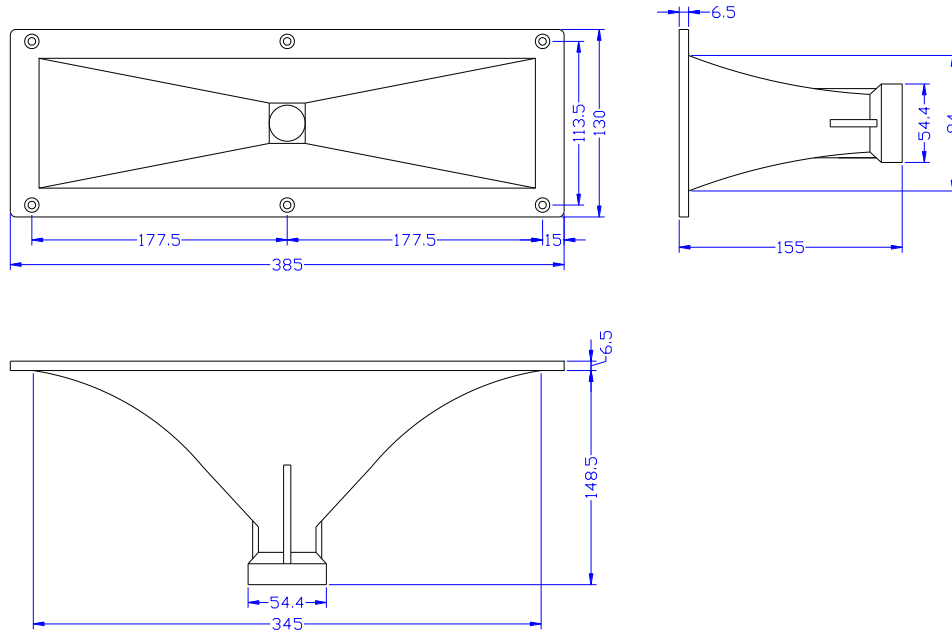




H1560

1" Throat 90 x 40 Screw-on Horn Flare



Description

The H1560 is a compact imported 1" throat screw-on horn flare with an 1100Hz cut-off, 80° horizontal coverage and 40° vertical coverage. The horn flare attaches to the horn driver via a 1 3/8 -18UNEF brass screw insert. The horn is manufactured from low mass tough synthetic resin material selected for its excellent strength while providing self-damping properties. This horn maintains even horizontal coverage and narrowing vertical coverage but still maintains 40 degree vertical coverage at 12kHz.

Mounting Details

Baffle cutout opening:	345 x 94 mm
Mounting pattern:	Six 5mm holes
Overall Width	385 mm
Overall height	130mm
Overall depth	155mm

Technical Data

Dispersion (-6dB)	80 degree Horizontal 40 degree Vertical
Cut-off frequency	1100Hz
Throat diameter	25mm (1")
Driver mounting	1 3/8 -18UNEF screw thread
Material	Glass filled ABS Resin
Overall Dimensions	385mm Width, 130mm High 155mm Depth
Net Weight	570 gms
Shipping weight	700 gms
Packing Dimensions	395mm x 140mm x 165mm

The end system performance results from the combination of horn-driver, flare, crossover network and bass-mid loudspeaker. Best overall performance is achieved using computer aided loudspeaker optimization techniques to achieve optimum performance combined with bass/midrange driver. Employing non optimized components may result in inferior performance.