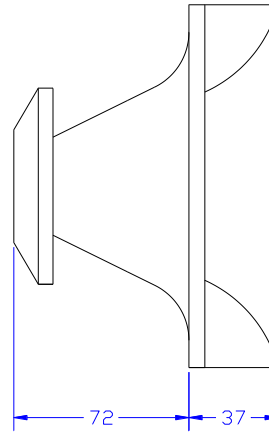
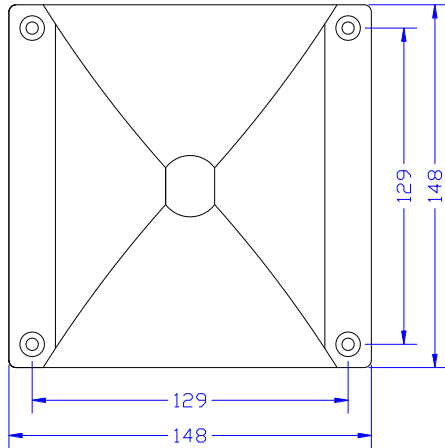


SAAT SH150

1" THROAT 60 x 60 CD HORN

Technical Data



Description

The SAAT SH150 is a 1" constant directivity horn flare with a 1600Hz cut-off, 60° horizontal coverage and 60° vertical coverage. The horn flare attaches to the driver via a 1 3/8 - 18UNEF screw thread. The horn is manufactured from low mass tough synthetic resin material selected for its excellent strength and self-damping properties.

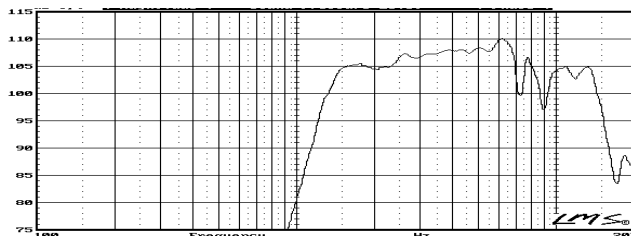
Mounting Details

Baffle cutout opening: 110 x 110 mm
 Mounting pattern: Four 5mm holes spaced at 129 mm.
 Overall Depth: 109 mm flare only
 165mm overall including SM-35T horn driver.

| | |
|--------------------|--------------------------------------------|
| Type | Constant Directivity |
| Dispersion (-6dB) | 60 degree Horizontal 60 degree Vertical |
| Cut-off frequency | 1600Hz |
| Throat diameter | 25mm (1") |
| Driver mounting | 1 3/8 -18UNEF screw thread |
| Material | Glass filled ABS Resin |
| Overall Dimensions | 150mm Width, 150mm High 112mm Depth |
| Net Weight | 220 gms |

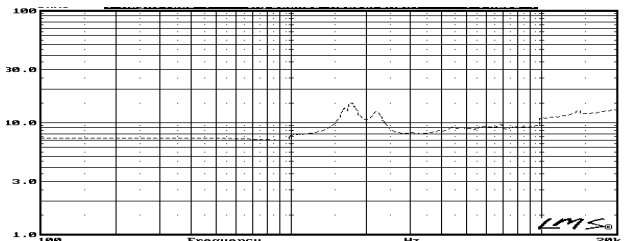
The end system performance results from the combination of horn-driver, flare, crossover network and bass-mid loudspeaker. Best overall performance is achieved using computer aided loudspeaker optimization techniques to achieve optimum performance combined with bass/midrange driver. Employing non optimized components may result in inferior performance.

Frequency Response



Infinite baffle frequency response recorded with LMS at one watt at one meter with horn flare coupled with SM-35T compression driver.

Impedance Plot



LMS measured impedance magnitude with SH150 flare coupled with SM-35T compression driver.