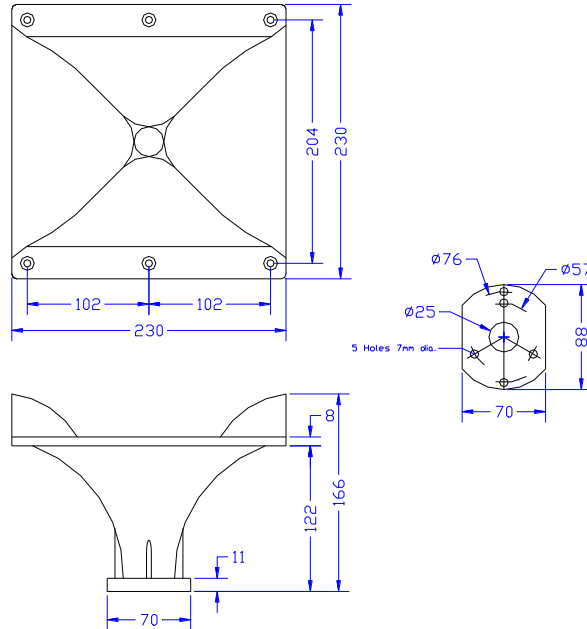


SAAT SH230

1" THROAT 60 x 60 HORN



Description

The SAAT SH230 is an exponential horn with a 800Hz low frequency cut-off and a wide 60 x 60 degree coverage therefore suitable for short throw applications. A back mounting flange provides coupling for both 2 bolt and 3 bolt 1" compression drivers. The horn is manufactured from tough glass filled ABS resin, this material offers excellent strength while providing self-damping properties.

Mounting Details

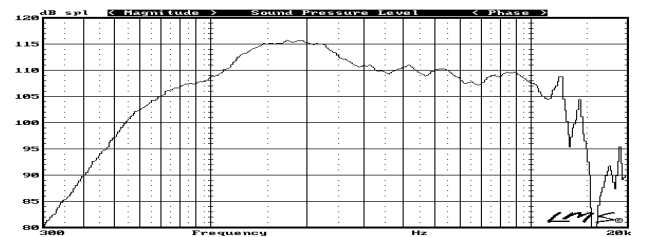
Baffle cutout opening: 195 x 176 mm
 Mounting pattern: Six 6.0mm spaced as shown above.
 Flange thickness 8 mm

Technical Data

Type	Exponential
Dispersion (-6dB)	60 degree Horizontal 60 degree Vertical
Cut-off frequency	800 Hz
Throat diameter	25.4mm (1")
Material	Glass filled ABS Resin
Overall Dimensions	230mm Width, 230mm High 166mm Depth
Net Weight	600 gms

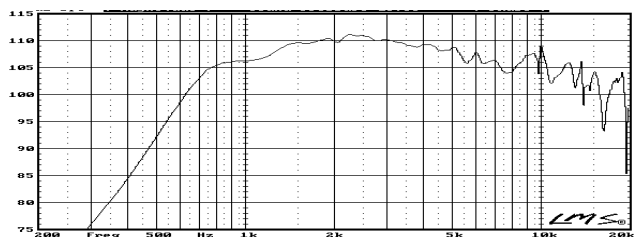
The end system performance results from the combination of horn-driver, flare, and crossover network. We employ computer aided loudspeaker optimization techniques to achieve optimum performance with our bass/midrange drivers and the result of employing non optimized components may result in inferior performance.

Frequency Response



Infinite baffle frequency response recorded with LMS at one watt at one meter with SH230 Flare coupled with SAMMI SM106 compression driver

Frequency Response



Infinite baffle frequency response when coupled with PAudio BM-D450 compression driver recorded with LMS at one watt at one meter.