

ME-250B100

Code No: 821-250100-00



LOW FREQUENCY LOUDSPEAKER

IMPEDANCE: 8 Ohms
POWER: Nominal: 100 WATT
MAX : 200 WATT

■ SPECIFICATION

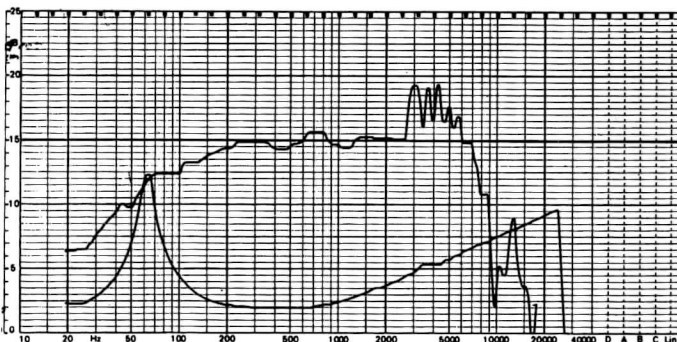
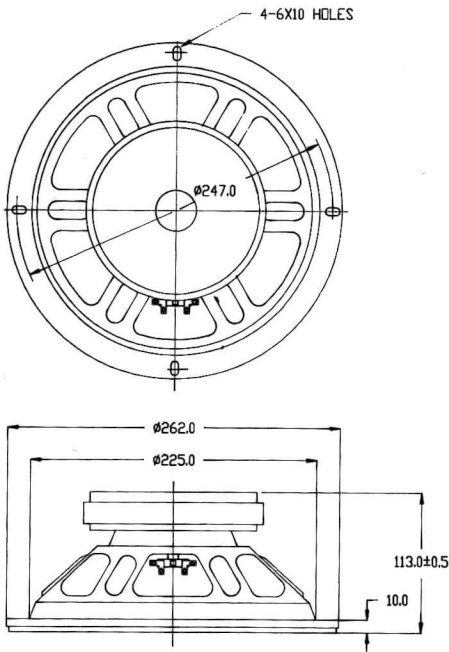
Nominal Diameter	250(10)	mm(in)
SPL	94.0	dB/W/M
Frequency Range	70.3-9000	Hz
Voice Coil Diameter	51.5(2.03)	mm(in)
Voice Coil Material	COPPER	
Magnet Weight	1.1(38.8)	Kg(oz)
Piston Diameter	210.0(8.27)	mm(in)
Magnet Gap Depth	6.0(0.24)	mm(in)
Voice Coil Winding Depth	8.5(0.33)	mm(in)

■ THIELE/SMALL PARAMETER

DC resistance	6.5	ohm
Fs	70.3	Hz
Qts	0.7092	
Qes	0.7746	
Qms	8.40	
Vas	27.97(0.99)	L (ft ³)
Sd	0.0346(53.63)	m ² (in ²)
Xmas	1.5(0.06)	mm(in)
Vd	51.9	ccm
Half-Space Reference Efficiency	1.2	%
Efficiency Bandwidth Product	90.76	Hz
Le	0.67	mH
Cms	0.00017	m/N
BL	10.68	N/A
Rms	1.34	Kg/s

■ MOUNTING INFORMATION

Overall Diameter	262.0(10.31)	mm(in)
Bolt Circle Diameter	247.0(9.72)	mm(in)
Baffle Cutout Diameter	225.0(8.85)	mm(in)
Depth	113.0(4.45)	mm(in)
Net Weight	2.6(5.73)	Kg(lb)



Remark: