

SAMMI: SM-106

1" Titanium Compression Driver

Description

The SAMMI SM-106 is an imported high performance 1" throat, bolt on, titanium compression type high-frequency driver for use in as a high frequency component in professional high quality sound reinforcement and reproduction applications.

The SM-106 offers exceptional high frequency performance:

- High acoustic output 106dB/1w/1m when coupled to the SH350 flare.
- Wide frequency range 800Hz to 17KHz when coupled with SH350 horn flare.
- 50 watt power handling above 800Hz .

When attenuated to a typical sensitivity of 100dB SPL this implies an input power handling at the network input terminals of 200W relative to 2.83v/8-ohm reference.



Crossover

This unit must be connected to a system via a frequency selective device the "crossover" which may be passive or active-electronic type.

We recommend a minimum 12dB/octave high- pass filter, refer our computer-aided design filter networks which are designed to meet specific target response, however in demanding applications a higher order network is recommended and necessary.

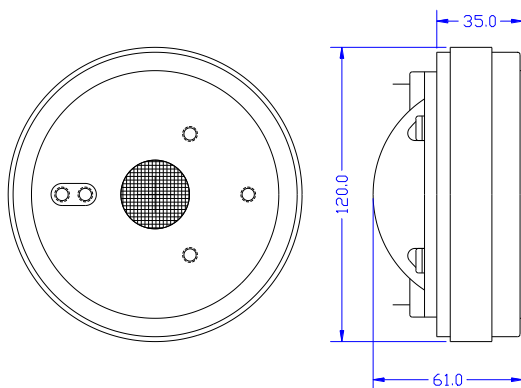
The use of a non-optimized crossover may result in inferior performance.

Mounting Details

Three equi-spaced 0.25" BSW threaded holes on a 57mm PCD.
Two 0.25" BSW threaded holes on a 76mm PCD.

Connection

The diaphragm is terminated with 5mm spade terminals, observe polarity.



The SAMMI SM-106 is an imported Korean product proudly used and indorsed by Lorantz Audio Services Pty. Ltd.

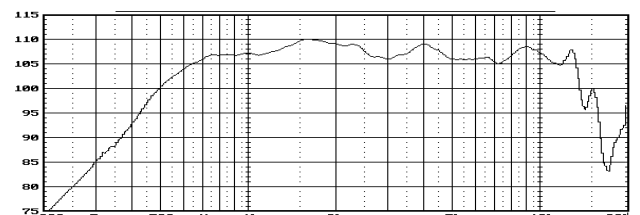
Technical Data

Typical measured parameters:

Nominal impedance	8 ohms
DC Resistance	4.5 ohms
Minimum impedance	5 ohms
Diaphragm	Titanium
Power capacity	50 watt sine wave above 800 Hz
Voice-coil material	Edge wound aluminum
Voice coil diameter	44 mm wound onto Kapton bobbin
#Frequency range	500Hz – 16 kHz
#Sensitivity	106 dB SPL/1W/1m with SH350 Horn Flare
#Recommended crossover	800Hz or higher, 12 dB /octave minimum
Net Weight	1700 gms

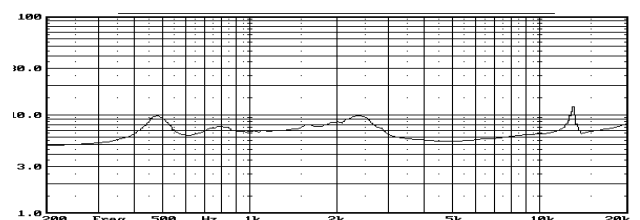
*# Frequency range, sensitivity and recommended crossover frequency are horn flare dependent.
Specifications subject to change without notice.*

Frequency Response



Un-equalized infinite baffle response recorded at one watt at one metre with SM-106 driver coupled with SH350 horn flare.

Impedance



SM-106 driver impedance plot when coupled with SH350 flare.