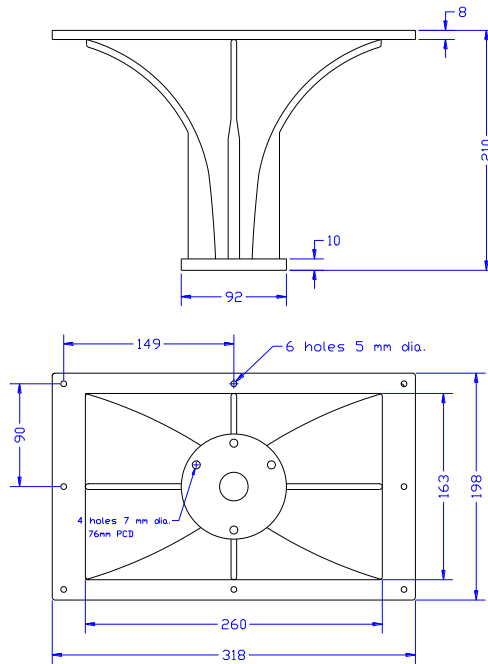


SAAT SH350

1" THROAT 100x60 HORN



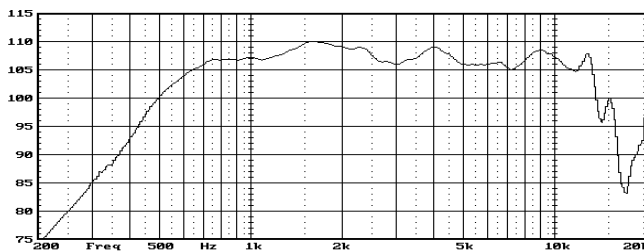
Description

The SAAT SH350 is a flat front exponential horn of 600Hz cut-off which maintains wide even horizontal coverage while narrowing the vertical coverage to equalize the high frequency roll-off of large diaphragm compression drivers. The exponential flaring provides efficient smooth acoustic loading to the driver keeping distortion to a minimum. A back mounting flange provides coupling for both 2 bolt and 3 bolt 1" compression drivers. The horn is manufactured from tough Noryl resin as this material offers excellent strength while providing self-damping properties to eliminate body resonances.

Mounting Details

Baffle cutout opening: 260 x 165 mm
 Mounting pattern: Eight 5mm spaced 149mm horizontal 90mm vertical.
 Flange thickness 8 mm

Frequency Response



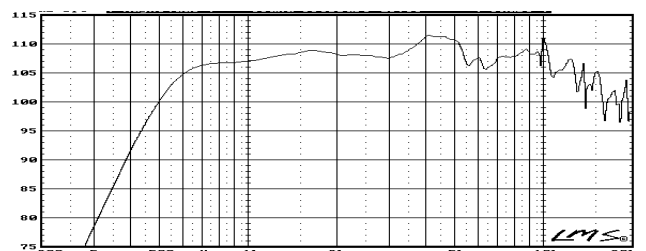
Infinite baffle frequency response when coupled with SAMMI SM106 compression driver recorded with LMS at one watt at one meter.

Technical Data

Type	Exponential
Dispersion (-6dB)	120 degree Horizontal at 1KHz 90 degree Vertical at 1KHz. 100 degree Horizontal at 2KHz 60 degree Vertical at 2KHz
Cut-off frequency	600Hz
Throat diameter	24mm (1")
Material	Glass filled ABS resin.
Overall Dimensions	318mm Width, 198mm High 211mm Depth
Net Weight	640 gms

The system performance is the combination of horn-driver, flare, and crossover network. We employ computer aided loudspeaker optimization techniques to achieve optimum performance with our bass/midrange drivers and the result of employing non optimized components may result in inferior performance.

Frequency Response



Infinite baffle frequency response when coupled with BM-D450 compression driver recorded at one watt at one meter.